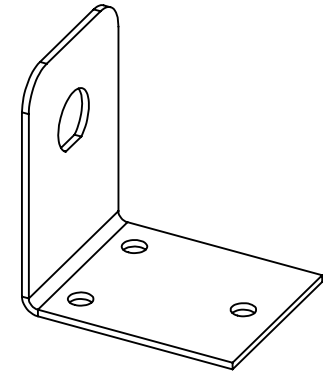
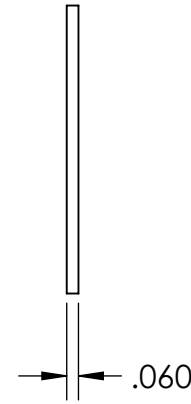
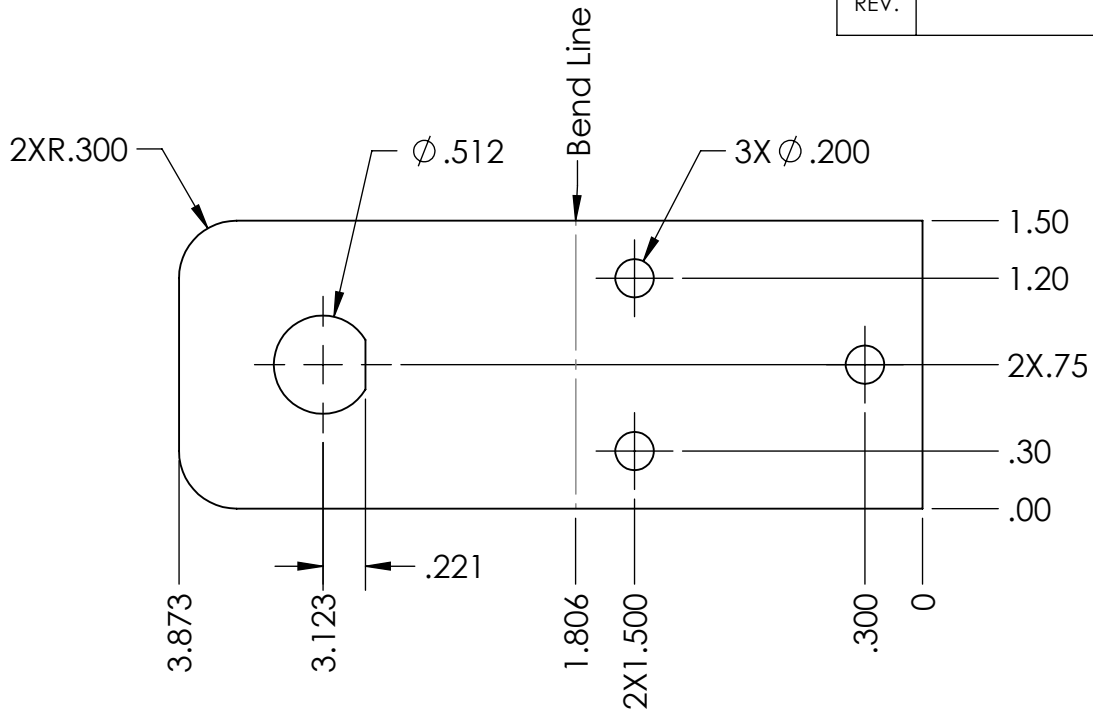
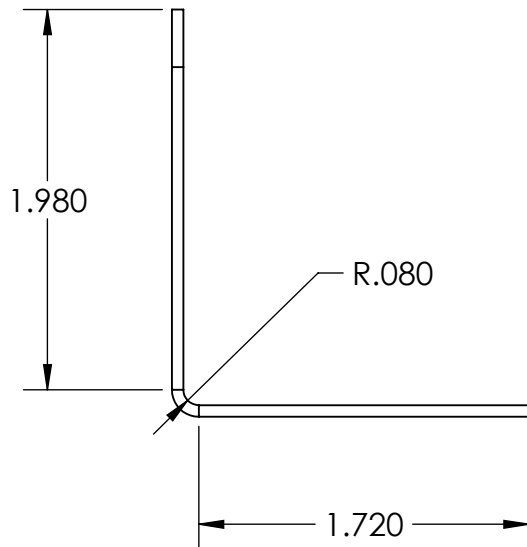


REVISIONS			
REV.	DESCRIPTION	DATE	APPROVED



Trimetric View
Scale 2:3



UNLESS OTHERWISE SPECIFIED:		COMMENTS:		Southwest Antennas, Inc			
DIMENSIONS ARE IN INCHES TOLERANCES: FRACTIONAL: $\pm 1/32$ ANGULAR: MACH ± 0.5 BEND: ± 0.5 TWO PLACE DECIMAL: ± 0.020 THREE PLACE DECIMAL: ± 0.005		TITLE:					Mounting Bracket for TNC Blkhd
INTERPRET GEOMETRIC TOLERANCING PER:				SIZE	DWG. NO.	REV	
MATERIAL Stainless Steel 316		DRAWN	NAME DDB	DATE 7/15/16	A	150-1000-774	0
FINISH N/A		CHECKED	-	-			
DO NOT SCALE DRAWING				SCALE: 1:1	WEIGHT: 0.012	SHEET 1 OF 1	